

3 valve manifold

Model 3VM

Features

- Stainless steel construction Monel & Hastelloy-C276
- Isolates each port and equalizes pressure
- Provision of dust caps that prevent dust Ingress
- Supplied with wetted parts according to NACE MR0175
- The controlled vent provides the option of draining to process fluid to collector or atmosphere
- PTFE packing optional grafoil

Applications

Chemical & petrochemical industries, refineries
 Off shore and on shore fields
 Storage tanks of fluids/gas
 Thermal & nuclear power generation units
 Waste treatment plant
 OEM & machine apparatus
 Seawater desalination plants
 Chemical injection skids



Technical specification	3VM
Body	Stainless steel 316 optional Stainless steel 316L, Monel & Hastelloy-C276
Stem	Stainless steel 316 optional Stainless steel 316L, Monel & Hastelloy-C276
Valve assembly	Stainless steel 316 optional Stainless steel 316L, Monel & Hastelloy-C276
Connections	1/4" 3/8" 1/2" BSP / NPT, others on request
Packing	PTFE up to 240 °C (462 °F) optional Grafoil up to 538 °C (1000 °F)
T-handle	Stainless steel 304
Permissible pressure rating	6000 PSI @ 100°C (212 °F)
Drain Port	1/4" NPT(F)
Vent plug	Stainless steel 316 optional Stainless steel 316L, Monel & Hastelloy-C276

Order information

Type	Mounting	Connection	Form Inlet X Outlet	System material	Options
3VM	(R) Pipe to pipe	(02) 1/4" NPT (04) 1/2" NPT (03) 3/8" NPT (13) 1/4" BSP	(F/F) Female X female	(S) 316(1.4401) (L) 316L (1.4404) (P) Monel (H) Hastelloy-C276 Others on request	(NH) Tagging Stamped (OF) Oil free (CD3) Material certificate for wetted parts (10K) Pressure rating 10000PSI ¹⁾ (G) Grafoil packing (CD5) NACE MR 0175/ ISO15156-2005
	(T) Pipe to flange	(14) 3/8" BSP (15) 1/2" BSP	(F/FL) Female X flange		
	(H) Flange to flange	(=) Flange	(FL/FL) Flange X flange		

1) Detailed drawing shall be provided on request

How to order

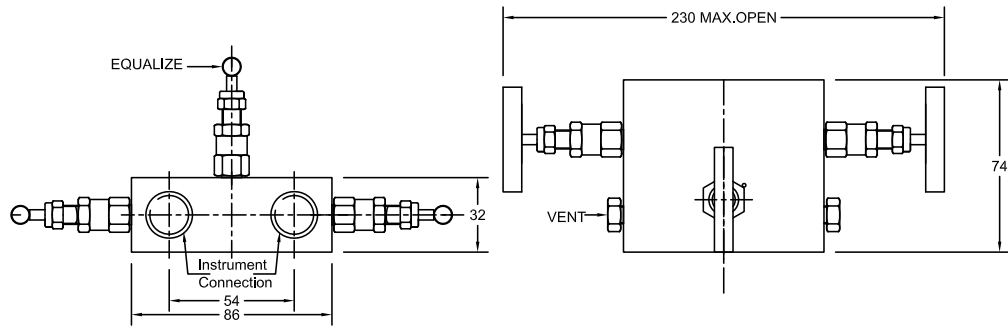
Type	Mounting	Connection	Form	System material	Options
3VM	R	04	F/F	L	CD5

All specifications are subject to change without notice.

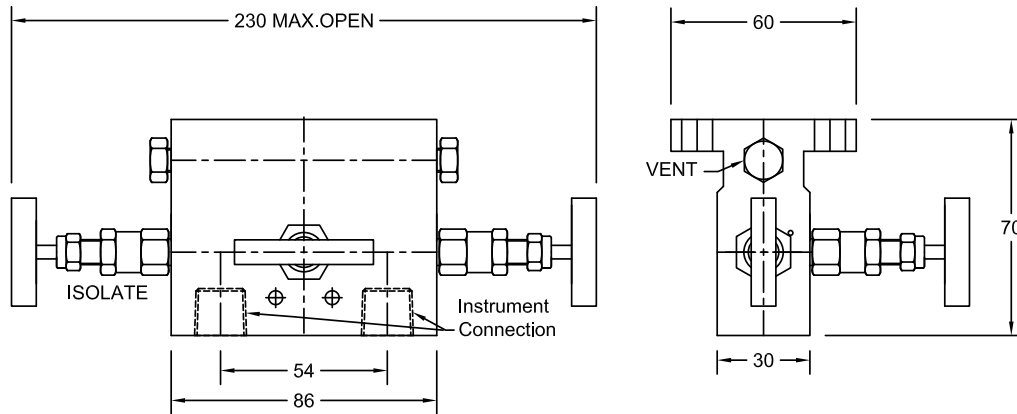
IN. 3VM Rev. D 18/01/2018

3 valve manifold

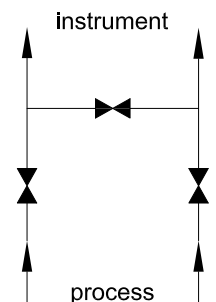
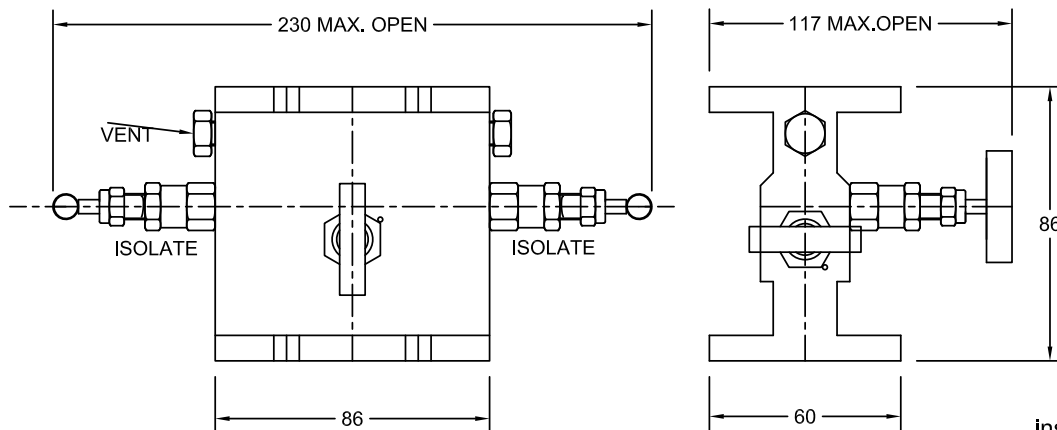
R-Type



T-type



H-type



Pressure Rating: 6000psi @ 100°C (212 °F)
 Dimension shall be differ for option 10K

Precision Mass Products Pvt. Ltd.

Plot No.: 2306, G.I.D.C. Chhatral, Ta: Kalol, Dist.: Gandhinagar,
 Chhatral -382729, Gujarat, India.
 Telephone: +91-2764 233681/82/83
 Email: sales@precisionmass.com

Fax: +91-2764-233440
 www.precisionmass.com

- North Zone : sales.delhi@precisionmass.com
- East zone : sales.kolkata@precisionmass.com
- West zone : sales.mumbai@precisionmass.com
- South zone : sales.chennai@precisionmass.com