

Diaphragm seals threaded types

Model DS21

ASME B40.100

Features

- Removable diaphragm seal capsule
- Interchangeable components
- Removable top and bottom housing
- Variety of wetted parts materials

Ranges

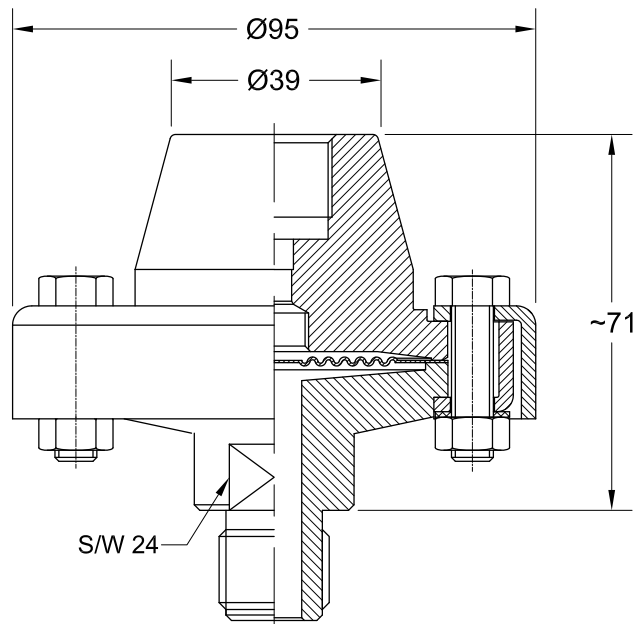
15 psi up to 1000 psi
 1 kg/cm² up to 100 bar & kg/cm²
 100 kPa up to 10000 kPa

Applications

Chemical and petrochemical industry
 Machine and apparatus construction
 Offshore installations
 Pulp and paper industry
 Waste water treatment



Technical specification	DS21
Process connection size (ISO 228-1 / ASME B1.20.1)	1/4" 3/8" 1/2" BSP / NPT, M20x1.5, others on request
Construction Fill port Flushing connection Flushing connection size	Bolted top and bottom housing, removable for easy maintenance and changeable capsules At the side with stainless steel ball and set screw Optional flushing 1/4" NPT female
Maximum pressure Metal bottom housing [psi / bar] Other bottom housing [psi / bar]	1500 / 100 150 / 10
Measuring principle	Screwed capsule
Instrument connections [female]	3/8" BSP, 1/2" NPT, others on request
Material (wetted parts) Bottom housing Diaphragm (metal type)	Stainless steel 316, Polypropylene, PVC, Monel, Hasteloy-C 276, SS 316 with teflon protection, Stainless steel 316L (1.4404), stainless steel 304L (1.4306), K-Monel, Hasteloy-C 276, Hasteloy B, Nickel, Carpenter 20, Tantalum
Material (non-wetted parts) Top housing Clamp rings Bolts and nuts	Stainless steel 304, optional 316 Steel painted black, optional stainless Stainless steel 300 series
Accuracy	Additional 0,5 % to the specified tolerance of the mounted instrument
Filling liquids (temperature range)	Glycerin (0/400 °F, -18/204 °C), Silicone (-40/600 °F, -40/315 °C), Halocarbon (-70/300 °F, -56/149 °C), Syltherm 800 (-40/750 °F, -40/400 °C), Vegetable oil (32/248 °F, 0/120 °C), Food grade silicone (-13/400 °F, -25/200 °C), Others on request, also depending on selected material and configuration.
Mounting	Direct or with capillary
Weight in kg	1.32
Accessories, options	NACE, pressure gauges, pressure switches, transducer, capillaries

General dimensions in mm

Order information

Process connection	Type	Diaphragm	Bottom housing material	Instrument connection	Filling fluid	Options
(06) 1" NPT(M)	DS21	(S) 316L	(S) 316	(14T) 3/8 BSP (F)	(CG) Glycerin (direct mounted, -18/204 °C)	(NH) Tagging wired
(05) 3/4" NPT(M)		(C) 304L	(L) 316L	(04T) 1/2" NPT (F)	(CK) Silicone (direct mounted or with capillary, -40/315 °C)	(OF) Oil free (only filled with halocarbon)
(04) 1/2" NPT(M)		(D) Carpenter 20	(SP) 316 with teflon lined ¹⁾³⁾		(CF) Halocarbon (direct mounted or with capillary, -56/149 °C)	(YT) Stainless steel 316 top housing
(03) 3/8" NPT(M)		(G) Hastelloy B	(PP) Polypropylene ²⁾		(HA) Syltherm 800 (direct mounted or with capillary, -40/400 °C)	(SE) Stainless steel clamp rings
(02) 1/4" NPT(M)		(H) Hastelloy C	(V) PVC ²⁾		(GZ) Vegetable oil (direct mounted or with capillary, 0/120 °C)	(PU) Flushing connection 1/4" NPT (F) ⁵⁾
(18) 1" BSP(M)		(N) Nickel	(H) Hastelloy C		(CZ) Food grade silicone (direct mounted or with capillary, -25/200 °C)	(CA) Stainless steel armored capillary ⁴⁾
(17) 3/4" BSP(M)		(P) K-Monel	(M) Monel 400			(CP) Stainless steel armored capillary with PVC sleeving ⁴⁾
(15) 1/2" BSP(M)		(U) Tantalum				
(14) 3/8" BSP(M)						
(13) 1/4" BSP(M)						
(16) M20x1.5(M)						
(06T) 1" NPT(F)						
(05T) 3/4" NPT(F)						
(04T) 1/2" NPT(F)						
(02T) 1/4" NPT(F)						
					others on request	

1) Restricted to maximum temperature 200 °C, pressure 40 bar

2) Max. Rating / temperature limit: 200 psi / 14 bar at 74 °F / 23 °C; 125 psi / 8.6 bar at 125 °F / 52 °C; 80 psi / 5.5 bar at 150 °F / 65 °C

3) Not for process connection (02), (13), (06T), (05T), (04T), (02T), not available with option PU

5) Not for (SP), (PP) & (V)

How to order

Process connection	Type	Diaphragm	Bottom housing material	Instrument connection	Filling fluid	Option
04	DS21	S	S	14T	CK	CA1.0

Precision Mass Products Pvt. Ltd.

Plot No.: 2306, G.I.D.C. Chhatral, Ta: Kalol, Dist.: Gandhinagar,
Chhatral -382729, Gujarat, India.

Telephone: +91-2764 233681/82/83

Email: sales@precisionmass.com

Fax: +91-2764-233440

www.precisionmass.com

- North Zone : sales.delhi@precisionmass.com
- East zone : sales.kolkata@precisionmass.com
- West zone : sales.mumbai@precisionmass.com
- South zone : sales.chennai@precisionmass.com