

Diaphragm seals threaded types

Model DS50

ASME B40.100

Features

- Metal diaphragms with all welded construction
- Variety of wetted parts materials
- Available flushing connection
- Compact size for limited space

Ranges

15 psi up to 3500 psi
 1 kg/cm² up to 250 bar & kg/cm²
 100 kPa up to 25000 kPa

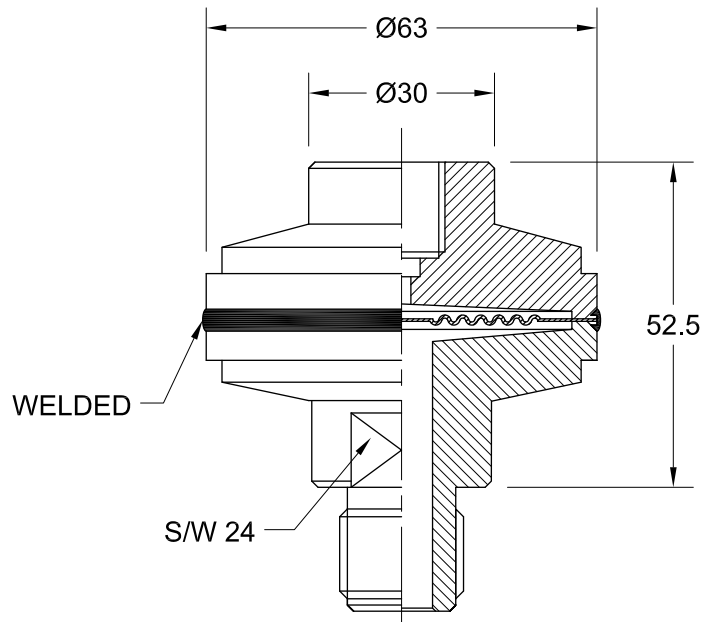
Applications

Chemical and petrochemical industry
 Machine and apparatus construction
 Offshore installations
 Pulp and paper industry
 Waste water treatment



Technical specification	DS50
Process connection size (ISO 228-1 / ASME B1.20.1)	1/4" 3/8" 1/2" BSP / NPT, M20x1.5, others on request
Construction	Diaphragm, top and bottom housing welded
Fill port	At the side with stainless steel ball and set screw
Flushing connection	Optional flushing
Flushing connection size	1/4" NPT female
Maximum pressure	
Standard housing [psi / bar]	1500 / 100
With high pressure ring [psi / bar]	3500 / 250
Measuring principle	Diaphragm welded to top and bottom housing
Instrument connections [female]	3/8" BSP, 1/2" NPT, others on request
Material	
Housing	Stainless steel 316, Optional Stainless steel 316L, Hasteloy-C 276
Diaphragm (metal type)	Stainless steel 316L, Optional Hasteloy-C 276
Accuracy	Additional 0,5 % to the specified tolerance of the mounted instrument
Filling liquids (temperature range)	Glycerin (0/400 °F, -18/204 °C), Silicone (-40/600 °F, -40/315 °C), Halocarbon (-70/300 °F, -56/149 °C), Syltherm 800 (-40/750 °F, -40/400 °C), Vegetable oil (32/248 °F, 0/120 °C), Food grade silicone (-13/400 °F, -25/200 °C), Others on request, also depending on selected material and configuration.
Mounting	Direct or with capillary
Weight in kg	0.6
Accessories, options	NACE, pressure gauges, pressure switches, transducer, capillaries

General dimensions in mm



Order information

Process connection	Type	Diaphragm	Housing material	Instrument connection	Filling fluid	Options
(06) 1" NPT(M)	DS50	(S) 316L	(S) 316	(14T) 3/8" BSP (F)	(CG) Glycerin (direct mounted, -18/204 °C)	(NH) Tagging wired
(05) 3/4" NPT(M)		(H) Hastelloy C	(L) 316L	(04T) 1/2" NPT (F)	(CK) Silicone (direct mounted or with capillary, -40/315 °C)	(HP) High Pressure Ring
(04) 1/2" NPT(M)			(H) Hastelloy C		(CF) Halocarbon (direct mounted or with capillary, -56/149 °C)	(OF) Oil free (only filled with halocarbon)
(03) 3/8" NPT(M)					(HA) Syltherm 800 (direct mounted or with capillary, -40/400 °C)	(PU) Flushing connection 1/4" NPT (F)
(02) 1/4" NPT(M)					(GZ) Vegetable oil (direct mounted or with capillary, 0/120 °C)	(CA) Stainless steel armored capillary ¹⁾
(18) 1" BSP(M)					(CZ) Food grade silicone (direct mounted or with capillary, -25/200 °C)	(CP) Stainless steel armored capillary with PVC sleeving ¹⁾
(17) 3/4" BSP(M)						
(15) 1/2" BSP(M)						
(14) 3/8" BSP(M)						
(13) 1/4" BSP(M)						
(16) M20x1.5(M)						
(06T) 1" NPT(F)						
(05T) 3/4" NPT(F)						
(04T) 1/2" NPT(F)						
(02T) 1/4" NPT(F)						
					others on request	¹⁾ Max length 30m, specify length in meter EG. CP1.0 = CP with 1m

How to order

Process connection	Type	Diaphragm	Housing material	Instrument connection	Filling fluid	Option
04	DS50	S	S	14T	CK	CA1.0

Precision Mass Products Pvt. Ltd.

Plot No.: 2306, G.I.D.C. Chhatral, Ta: Kalol, Dist.: Gandhinagar,
Chhatral -382729, Gujarat, India.

Telephone: +91-2764 233681/82/83

Email: sales@precisionmass.com

Fax: +91-2764-233440

www.precisionmass.com

- North Zone : sales.delhi@precisionmass.com
- East zone : sales.kolkata@precisionmass.com
- West zone : sales.mumbai@precisionmass.com
- South zone : sales.chennai@precisionmass.com