

Compact high pressure seal Model DS54

ASME B40.100

Features

- All welded metal construction
- No gaskets or bolts
- All material stainless steel

Ranges

1500 psi up to 6000 psi
 100 kg/cm² up to 400 bar & kg/cm²
 10000 kPa up to 40000 kPa

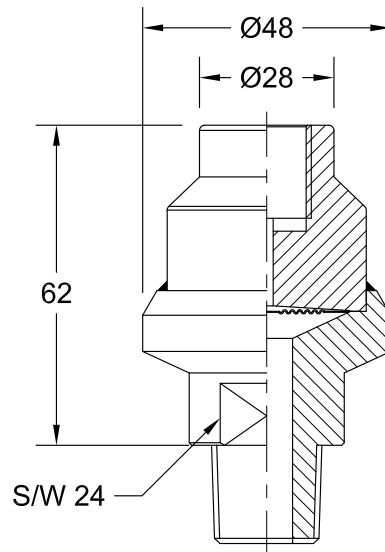
Applications

Chemical and petrochemical industry
 Machine and apparatus construction
 Power station



| Technical Specification | DS54 |
|---|--|
| Process connection size (ISO 228-1 / ASME B1.20.1) | 1/4" 3/8" 1/2" 3/4" BSP (M) / NPT (M) , M20x1.5(M), others on request |
| Pressure range in bar (min max) | 100 400 |
| Maximum pressure Standard housing [psi / bar] | 6000 / 400 |
| Material Housing Diaphragm (metal type) | Stainless steel 316, Optional Stainless steel 316L , Hasteloy-C276 Stainless steel 316L Optional Hasteloy-C276 |
| Accuracy | Additional 0,5 % to the specified tolerance of the mounted instrument |
| Filling liquids (temperature range) | Glycerin (0/400 °F, -18/204 °C), Silicone (-40/600 °F, -40/315 °C), Halocarbon (-70/300 °F, -56/149 °C), Syltherm 800 (-40/750 °F, -40/400 °C), Vegetable oil (32/248 °F, 0/120 °C), Food grade silicone (-13/400 °F, -25/200 °C), Others on request, also depending on selected material and configuration. |
| Mounting | Direct |
| Weight dry in grams | 440 |
| Accessories, options | Pressure gauges, transducer |

General dimensions in mm



Order information

| Process connection | Type | Diaphragm | Housing material | Instrument connection | Filling fluid | Option |
|--------------------|------|-----------------|------------------|-----------------------|--|--|
| (05) 3/4" NPT(M) | DS54 | (S) 316L | (S) 316 | (14T) 3/8" BSP(F) | (CG) Glycerin (direct mounted, -18/204 °C) | (NH) Tagging wired |
| (04) 1/2" NPT(M) | | (H) Hastelloy C | (L) 316L | | (CK) Silicone (direct mounted or with capillary, -40/315 °C) | (OF) Oil free (only filled with halocarbon) |
| (03) 3/8" NPT(M) | | | (H) Hastelloy C | | (GZ) Vegetable oil (direct mounted, 0/120 °C) | (PU) Flushing connection 1/4" NPT (F) |
| (02) 1/4" NPT(M) | | | | | (CF) Halocarbon (direct mounted or with capillary, -56/149 °C) | (CA) Stainless steel armored capillary ¹⁾ |
| (16) M20x1.5(M) | | | | | (HA) Syltherm 800 (direct mounted or with capillary, -40/400 °C) | (CP) Stainless steel armored capillary with PVC sleeving ¹⁾ |
| (17) 3/4" BSP(M) | | | | | (CZ) Food grade silicone (direct mounted or with capillary, -25/200 °C) | |
| (15) 1/2" BSP(M) | | | | | | |
| (14) 3/8" BSP(M) | | | | | | |
| (13) 1/4" BSP(M) | | | | | | |

¹⁾ Max length 30m, specify length in meter
EG. CP1.0 = CP with 1m

How to order

| Process connection | Type | Diaphragm | Housing material | Instrument connection | Filling fluid | Option |
|--------------------|------|-----------|------------------|-----------------------|---------------|--------|
| 02 | DS54 | S | S | 14T | CK | CA1.0 |

Precision Mass Products Pvt. Ltd.

Plot No.: 2306, G.I.D.C. Chhatral, Ta: Kalol, Dist.: Gandhinagar,
Chhatral -382729, Gujarat, India.

Telephone: +91-2764 233681/82/83

Email: sales@precisionmass.com

Fax: +91-2764-233440

www.precisionmass.com

- North Zone : sales.delhi@precisionmass.com
- East zone : sales.kolkata@precisionmass.com
- West zone : sales.mumbai@precisionmass.com
- South zone : sales.chennai@precisionmass.com