

# Pulsation dampener / Snubber Model PD1

ASME B40.100

## Features

- Protects pressure instrument from line surges
- Reduce pulsation of process fluid
- Stainless steel body optional monel
- Improve reading and accuracy of instruments
- Horizontal and vertical installation

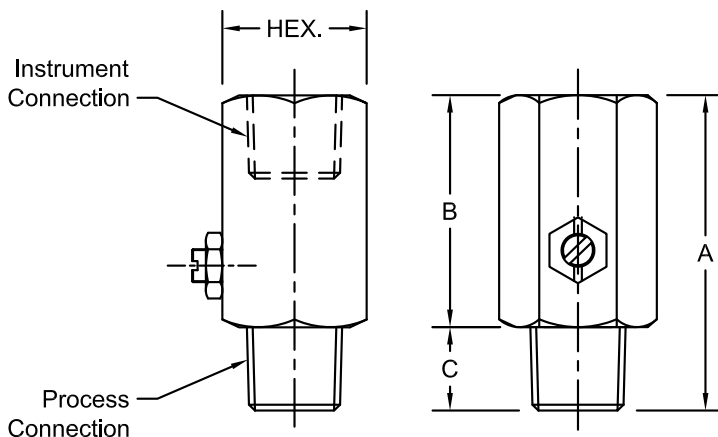
## Applications

Reciprocating pumps and compressor  
Hydraulic Machines and fluid power system  
Process plant, Power plant  
Chemical and Petrochemical Industries  
Off shore and on shore refineries  
Clean air, gas and non-crystallizing media

Permissible Pressure rating:  
400 kg/cm<sup>2</sup> @ 100°C (212°F)



## General dimensions in mm



Connection	A	B	C	HEX. A/F
1/4"(MX F)	55	40	15	25
3/8"(MX F)	55	39	16	25
1/2"(MX F)	63	43	20	28

## Order information

Type	Connection	Form <sup>1)</sup>	System material	Options
PD1	(02)1/4" NPT (04)1/2" NPT (13)1/4" BSP (14)3/8" BSP (15)1/2" BSP (16)M20x1.5 Others on request	(M/F) Male X female	(C) SS 304 (S) SS 316 (L) SS 316L (P) Monel (H) Hastelloy-C	(NH) Tagging Stamped (OF) Oil free (CD3) Material certificate for wetted parts (10K) Pressure rating 10000PSI

1) For Form, First character indicates Process connection and Second character indicates Instrument connection

## How to order

Type	Connection	Form	System material	Option
PD1	04	M/F	S	CD3

## Precision Mass Products Pvt. Ltd.

Plot No.: 2306, G.I.D.C. Chhatral, Ta: Kalol, Dist.: Gandhinagar,  
Chhatral -382729, Gujarat, India.  
Telephone: +91-2764 233681/82/83 Fax: +91-2764-233440  
Email: sales@precisionmass.com www.precisionmass.com  
All specifications are subject to change without notice.

• North Zone : sales.delhi@precisionmass.com  
• East zone : sales.kolkata@precisionmass.com  
• West zone : sales.mumbai@precisionmass.com  
• South zone : sales.chennai@precisionmass.com  
IN.PD1 Rev. D 17/03/2018