

Industrial Pressure Transmitter with Display

Model PT12

Features

- Compact design
- LCD display for local indication
- Rugged stainless steel construction
- High shock and vibration stability
- Reverse polarity and limit protection
- High accuracy, stability, and reliability
- Protection IP65

Ranges

0 ... 1.5 psi up to 0 ... 15,000 psi
 0 ... 0.1 bar up to 0 ... 1000 bar & kg/cm²
 0 ... 10 kPa up to 0 ... 100,000 kPa

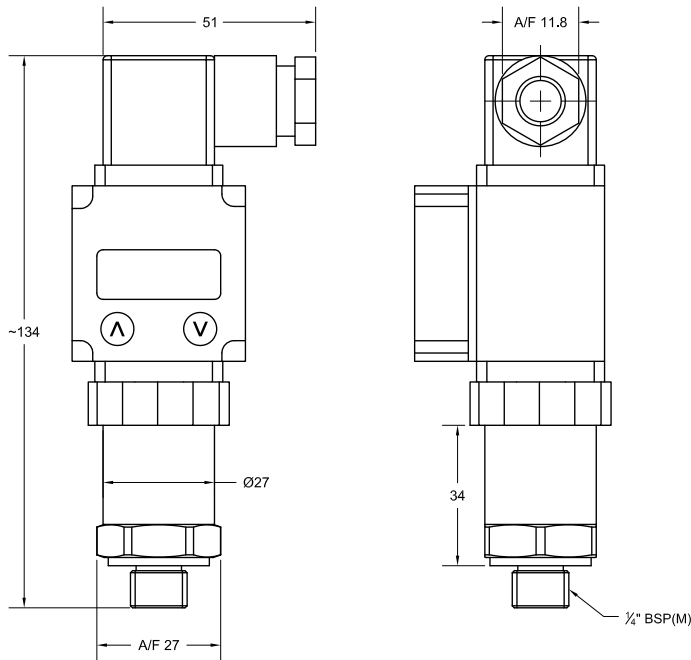
Applications

Machine and construction apparatus
 Hydraulic and Pneumatics systems
 Refrigeration and air conditioning
 Emissions monitoring
 Power generation
 Automation



Technical specifications	PT12
Measuring principle	Piezo resistive sensors
Range in mbar	100 160 250 400 600
Range in bar (kg/cm ²)	1 1.6 2.5 4 6 10 16 25 40 60 100 160 250 400 600 1000
Overpressure limit	-1/0 -1/3 -1/5 -1/9 -1/15
Pressure type	150% of FS, Max 1100 bar
Process connection	Gauge, Vacuum and Compound
Material Wetted Part	G 1/4 male according DIN 3852 Part 11 Form E, 1/4" NPT (M), 1/2" NPT (M), 1/2" BSP (M)
Process connection	Others on request
Material Wetted Part	
Process connection	Stainless Steel 316L
Sensor	Stainless Steel 316L
Housing	Stainless Steel 300 series
Seals	FKM
Power supply	11 ... 28 VDC
Output signal	4 ... 20 mA (2 wires)
Maximum Loop Resistance	(U – 12V)/0.02 Ω
Insulation Voltage	100V, 100MΩ
Display type	4 Digit, 7 segment LCD display.
Display range	-1999 to 9999
Electrical connection	4 PIN angle connector DIN EN 175301-803 A
Accuracy	≤ 0,5 % FS (Including Linearity, Hysteresis, Zero offset & Span offset), at Room Temperature
Long term stability	≤0,2 % FS / year
Permissible	
Operation temperature	-20 ... 80 °C
Medium temperature	-40 ... 125 °C
Storage temperature	-25 ... 85 °C
Stability	
Vibration resistance	no change at 10gRMS, (20~2000) Hz
Shock resistance	100g, 11ms
Protection acc. EN 60 529/IEC 529	IP65
Weight in kg	~ 0.25

General dimensions in mm



Pin	2 wire (Ampere output)
1	+ Ve
2	- Ve
3	X
4	X

Order information

Output signal	Accuracy	Range	Engineering unit	Protection	Process connection	Electrical connection	Options
(42) 4/20 mA	(050) $\leq 0,50\%$ (Including Linearity, Hysteresis, Zero offset & Span offset)	0/ 100 0/ 160 0/ 250 0/ 400 0/ 600 -1/ 0 -1/ 3 -1/ 5 -1/ 9 -1/ 15 0/ 1 0/ 1,6 0/ 2,5 0/ 4 0/ 6 0/ 10 0/ 16 0/ 25 0/ 40 0/ 60 0/ 100 0/ 160 0/ 250 0/ 400 0/ 600 0/ 1000 others on request	mbar bar Equivalent ranges in kPa, MPa, psi, kg/cm ² and others units available	(=) IP65	(MG9) G 1/4 A male Form E ¹⁾ (04) 1/2" NPT (M) (02) 1/4" NPT (M) (15) 1/2" BSP (M)	(M1) 4 Pin Angle connector DIN EN 175301-803 A	(NH) Tagging Wired
					others on request		

1) Maximum range 400 bar

How to order

Type	Output signal	Accuracy	Range	Engineering unit	Protection	Process connection	Electrical connection	Option
PT12	42	050	0/10	BAR	=	MG9	M1	NH

Precision Mass Products Pvt. Ltd.

Plot No.: 2306, G.I.D.C. Chhatral, Ta: Kalol, Dist.: Gandhinagar, Chhatral -382729, Gujarat, India.

Telephone: +91-2764 233681/82/83

Email: sales@precisionmass.com

Fax: +91-2764-233440

www.precisionmass.com

- North Zone : sales.delhi@precisionmass.com
- East zone : sales.kolkata@precisionmass.com
- West zone : sales.mumbai@precisionmass.com
- South zone : sales.chennai@precisionmass.com