

High Displacement Diaphragm Seal

Model DS25

ASME B40.100

Features

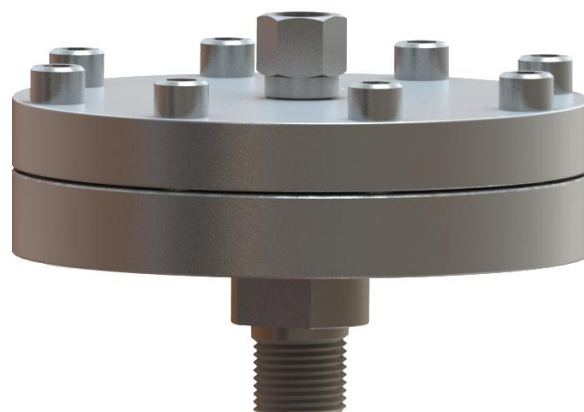
- High displacement of diaphragm
- Suitable for instruments with large displacement actuators
- Metal diaphragms with Teflon gasket
- Interchangeable components
- Removable top and bottom housing
- Variety of wetted parts materials

Ranges

15 psi up to 1000 psi
 1 kg/cm² up to 100 bar & kg/cm²
 100 kPa up to 10000 kPa

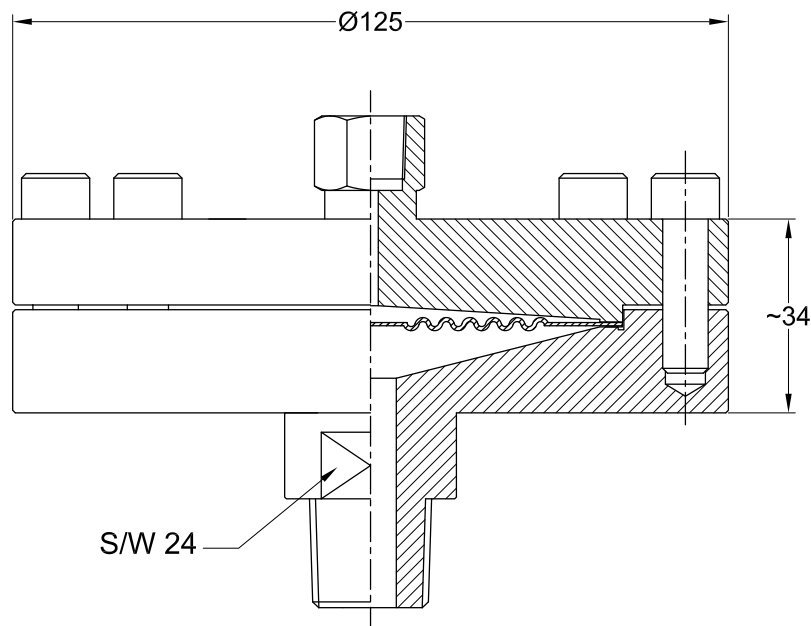
Applications

Chemical and petrochemical industry
 Machine and apparatus construction
 Offshore installations
 Pulp and paper industry
 Waste water treatment



Technical specification	DS25
Process connection size (ISO 228-1 / ASME B1.20.1)	1/4" 3/8" 1/2" BSP / NPT, M20x1.5, others on request
Construction	Bolted top and bottom housing, removable for easy maintenance
Fill port	At the side with stainless steel ball and set screw
Flushing connection	Optional flushing
Flushing connection size	1/4" 1/2" NPT female
Maximum pressure	
Metal bottom housing [psi / bar]	1500 / 100
Other bottom housing [psi / bar]	150 / 10
Measuring principle	Diaphragm welded to top housing
Instrument connections [female]	3/8" BSP, 1/2" NPT, others on request
Material (wetted parts)	
Bottom housing	SS 316, SS 316L, SS321, Hastelloy C276, Inconel 625, 316 with teflon protection
Diaphragm (metal type)	SS 316L, SS 321, Hastelloy C276, Inconel 625, Tantalum
Diaphragm (other types)	Stainless steel 316L with teflon protection
Material (non wetted parts)	
Top housing	Stainless steel 304, 316
Bolts and nuts	Stainless steel 300 series
Accuracy	Additional 0,5 % to the specified tolerance of the mounted instrument
Filling liquids (temperature range)	Glycerin (0/400 °F, -18/204 °C), Silicone (-40/600 °F, -40/315 °C), Halocarbon (-70/300 °F, -56/149 °C), Syltherm 800 (-40/750 °F, -40/400 °C), Food grade silicone (-13/400 °F, -25/200 °C), Others on request, also depending on selected material and configuration.
Mounting	Direct or with capillary
Accessories, options	NACE, Diff. pressure gauges, Diff. pressure switches, transducers, capillaries

General dimensions in mm



Order information

Process connection	Type	Diaphragm	Bottom housing material	Instrument connection	Filling fluid	Options
(06) 1" NPT(M)	DS25	(S) SS316L	(S) SS 316	(14T) 3/8" BSP(F)	(CG) Glycerin (direct mounted, -18/204 °C)	(NH) Tagging wired
(05) 3/4" NPT(M)		(321) SS321	(L) SS 316L	(04T) 1/2" NPT(F)	(CK) Silicone (direct mounted or with capillary, -40/315 °C)	(OF) Oil free (only filled with halocarbon)
(04) 1/2" NPT(M)		(SJ) 316L with Teflon Coating ¹⁾	(321) SS 321	(H) Hastelloy C276	(CF) Halocarbon (direct mounted or with capillary, -56/149 °C)	(YT) Stainless steel 316 top housing
(03) 3/8" NPT(M)		(H) Hastelloy C276	(H) Hastelloy C276	(I625) Inconel 625	(HA) Syltherm 800 (direct mounted or with capillary, -40/400 °C)	(PU) Flushing connection 1/4" NPT (F)
(02) 1/4" NPT(M)		(I625) Inconel 625	(SP) 316 with teflon lined ¹⁾	(CZ) Food grade silicone (direct mounted or with capillary, -25/200 °C)	(MLP) Mounted on LP	
(18) 1" BSP(M)		(U) Tantalum			(MHP) Mounted on HP	
(17) 3/4" BSP(M)					(MOT) Mounted on Transmitter	
(15) 1/2" BSP(M)					(CA) Stainless steel armored capillary ²⁾	
(14) 3/8" BSP(M)					(CP) Stainless steel armored capillary with PVC sleeving ²⁾	
(13) 1/4" BSP(M)						
(16) M20x1.5(M)						
(06T) 1" NPT(F)						
(05T) 3/4" NPT(F)						
(04T) 1/2" NPT(F)						
(02T) 1/4" NPT(F)						

others on request

²⁾ Max length 30m, specify length in meter
EG. CP1.0 = CP with 1m

1) Restricted to maximum temperature 200 °C

How to order

Process connection	Type	Diaphragm capsule material	Bottom housing material	Instrument connection	Filling fluid	Option
15	DS25	S	S	14T	CK	CA1.0

Precision Mass Products Pvt. Ltd.

Plot No.: 2306, G.I.D.C. Chhatral, Ta: Kalol, Dist.: Gandhinagar,
Chhatral -382729, Gujarat, India.

Telephone: +91-2764 233681/82/83

Email: sales@precisionmass.com

Fax: +91-2764-233440

www.precisionmass.com

- North Zone : sales.delhi@precisionmass.com
- East zone : sales.kolkata@precisionmass.com
- West zone : sales.mumbai@precisionmass.com
- South zone : sales.chennai@precisionmass.com