

Stainless steel process gauges

Model WPS

Nominal size:

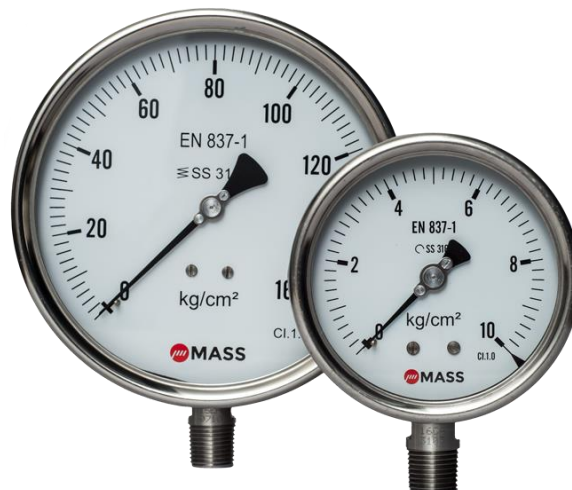
63 mm (2.5"), 100 mm (4"), 115 mm (4.5"), 150 mm (6") or 250 mm (10")

ASME B40.100 / EN 837-1 / IS-3624

Accuracy: Class 1 (1%) / Class 1.6 (1.6%) for 63mm

Features

- Rugged stainless steel construction
- Measuring system stainless steel or Monel
- Socket and case welded
- Protection IP54, IP65, IP66 and IP67
- Usable to full scale
- Overload protection 130 %
- Dry, liquid filled
- Optional contacts
- Optional external Zero Adjustment



Ranges

-30 in. Hg ... 0 psi up to 0 ... 36,000 psi

-1 ... 0 bar up to 0 ... 2500 bar & kg/cm²

-100 ... 0 kPa up to 0 ... 250,000 kPa

Applications

Chemical & petrochemical industries, refineries

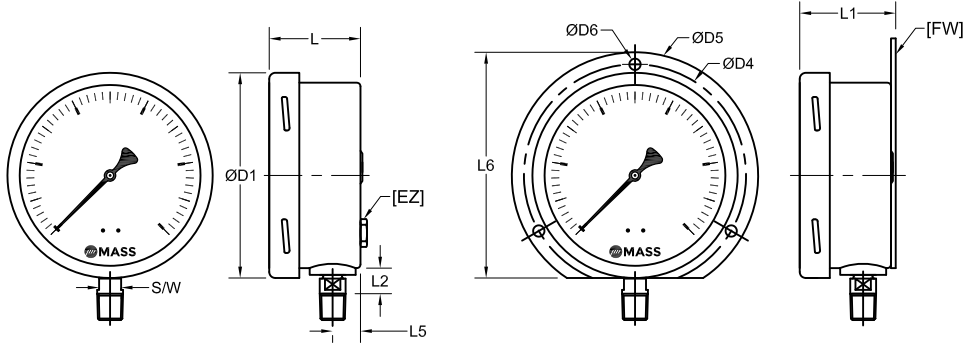
Fertilizer, thermal & nuclear power plants

OEM & machine apparatus

Technical specification	WPS				
	63	100	115	150	250
Dial size in mm	63	100	115	150	250
Construction	Open front cylindrical case with snap action bayonet ring with blow out disc				
Measuring principle	Bourdon tube				
Range in kg/cm ² (or bar)	0.6 1 1.6 2.5 4 6 10 16 25 40 60 100 160 250 400 600 1,000 1,600 2,500 -1/0 -1/0.6 -1/1.5 -1/3 -1/5 -1/9 -1/15 -1/24				
Overpressure limit	130 % F.S., short time.				
Pressure type	Gauge, vacuum and compound				
Process connection	1/8" 1/4" 3/8" 1/2" BSP / NPT (M), M20x1.5 (M), Others on request				
Connection location	Lower, back				
Material	Pressure connection: Stainless steel 316, optional 316L, Monel Tube: Stainless steel 316, optional 316L, Monel, Ni Span Case/bayonet ring: Stainless steel 304, optional 316L Window: Instrument glass, optional laminated safety glass, acrylic glass Dial: Aluminum, black markings on white background, others on request Pointer: Aluminum, black optional micrometer adjustment Movement: Stainless steel 304				
Accuracy	Class 1.6 (1.6 % F.S.)		Class 1 (1 % F.S.)		Class1 (1 % F.S.), optional 0.5 % F.S.
Permissible	Ambient temperature: -40 ... 60 °C (-40 ... 140 °F) Medium temperature: Max. 200 °C (392 °F) (dry), max. 100 °C (212 °F) (for liquid filled) Storage temperature: -40 ... 65 °C (-40 ... 150 °F) Effect: Max. 0,3 % / 10 K				
Protection according	IP54 / IP65 / IP66 / IP67				
Conformity according to 2014/34/EU for mechanical equipment in potential hazardous areas (for 63mm only)	Optional for 63mm only, Marking CE EX II 2G Ex h IIC T6..T1 Gb X CE EX II 2D Ex h IIIC T85..T450C Db X File no. 35173976 at notified body 0044, TUV NORD CERT (only with safety glass)				
Filling liquids	Glycerin, silicone, halocarbon, others on request				
Mounting	Standard stem, optional panel, bracket, surface or others on request				
Weight dry/filled in kg	0.1 / 0.17	0.51 / 0.86	0.53 / 0.88	0.88 / 1.78	2.02 / 3.52
Accessories, options	NACE, diaphragm seals, valves, electric contacts, dampener, gauge saver, syphon etc				

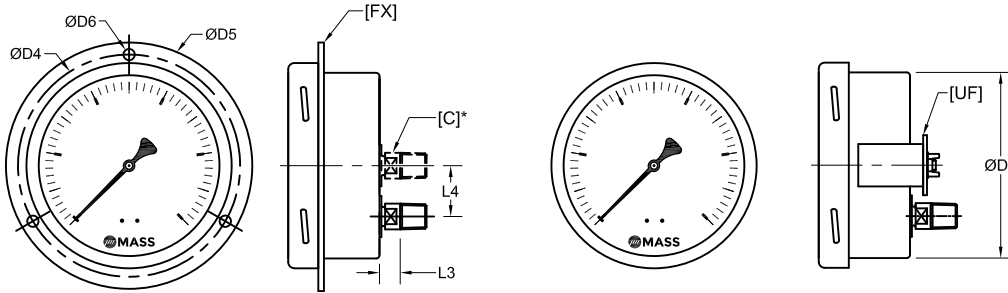
All specifications are subject to change without notice.

General dimensions in mm



Lower Connection Direct Mounting

Lower Connection Surface Mounting



Back Connection Front Panel Mounting

Back Connection U-Clamp Mounting

DIAL SIZE	63	100	115	150	250
ØD1	68.6	109	127	166	265
ØD2	61.6	98.5	114.5	152	252
ØD4	75	118	136	168	276
ØD5	85	132	152	186	290
ØD6	3.6	6	6	6	7
L	33	49	49	49	51.5
L1	37	51.5	51.5	51.5	-
L2	13	16	16	16	18
L3	13	16	16	16	16
L4	19	27	27	27	50
L5	10.8	14.8	14.8	15.5	14.8
L6	78	122	140	176	270
SW	11	17	17	17	17

[C]* for 63mm only

Order information

Size	Type	System material	Execution	Process connection	Connection orientation	Range	Engineering units	Filling/case material	Options
(63) 63mm	WPS	(S) Socket 316, Tube 316	(D) IP54	(04) 1/2" NPT (M) ¹⁾	(L) Lower	-1/ 0	kg/cm ² (bar)	(=) Standard no filling	(NH) Tagging wired
(100) 100mm			(L) IP65	(03) 3/8" NPT (M) ¹⁾	(B) Back	-1/ 1.5			(DA) Dial Marking
(115) 115mm		(L) Socket and Tube 316L	(R) IP66	(02) 1/4" NPT (M)	(C) Centre back ²⁾	-1/ 3			(CS) Dual Scale
(150) 150mm			(N) IP67	(01) 1/8" NPT (M)		-1/ 5			(AV) Anti-Vibration ⁸⁾
(250) 250mm		(P) Socket and Tube Monel ¹⁾		(15) 1/2" BSP (M) ¹⁾		-1/ 15			(OF) Oil free
				(14) 3/8" BSP (M) ¹⁾		-1/ 24			(MP) Micrometer pointer ¹⁾
				(13) 1/4" BSP (M)		0/ 0.6 ¹⁾			(PD) Acrylic glass
				(12) 1/8" BSP (M)		0/ 1			(SG) Safety glass
				(16) M20x1.5 (M) ¹⁾		0/ 1.6			(FX) Front panel
				(KQ) 1/2" BSPT (M) ¹⁾		0/ 2.5			(FW) Surface plate
			(KR) 3/8" BSPT (M) ¹⁾		0/ 4	(UF) U-clamp			
			(KA) 1/4" BSPT (M)		0/ 6	(TU) Throttle screw			
					0/ 10	(EZ) External Zero adjustment ¹⁾⁶⁾			
					0/ 16	(AJ) Calibration 0.5 % F.S. ⁴⁾			
					0/ 25	(PR) Receiver gauge ¹⁾			
					0/ 40	(TM) 2" Pipe mounting ¹⁾			
					0/ 60	(AT) ATEX listed ⁷⁾			
					0/ 100				
					0/ 160				
					0/ 250				
					0/ 400				
					0/ 600				
					0/ 1000				
					0/ 1600 ¹⁾				
					0/ 2500 ¹⁾				

Equivalent ranges in kPa, MPa, psi, bar and others units available

1) Not for size 63mm 2) For 63mm only 3) For dry gauges only 4) For 150 mm, 250 mm 5) Not for 0.6 kg/cm² 6) not for 250 mm 7) Safety glass (SG) mandatory for Ex-proof and for 63mm only 8) For size 100mm, 115mm, 150mm and pressure ranges 2.5 kg/cm² and above

How to order

Size	Type	System material	Execution	Process connection	Connection orientation	Range	Engineering unit	Filling/Case material	Option
150	WPS	S	L	04	L	0/16	KG/CM2	NA	NH

Precision Mass Products Pvt. Ltd.

Plot No.: 2306, G.I.D.C. Chhatral, Ta: Kalol, Dist.: Gandhinagar, Chhatral -382729, Gujarat, India.

Telephone: +91-2764 233681/82/83

Email: sales@precisionmass.com

Fax: +91-2764-233440

www.precisionmass.com

- North Zone : sales.delhi@precisionmass.com
- East zone : sales.kolkata@precisionmass.com
- West zone : sales.mumbai@precisionmass.com
- South zone : sales.chennai@precisionmass.com